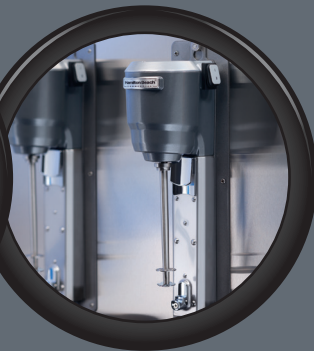


Hamilton Beach
COMMERCIAL

HMD300R Wall Mount Single-Spindle Drink Mixer

Saves
Counter
Space



with Wall-Mount Construction

Powerful 1/3 Hp Motor for Fast
and Efficient Mixing

Heavy-Duty, Die Cast
Stainless Steel Construction

Removable Cup Guide and Cup Rest

Comes with Wavy Agitator for Mixing Versatility

Wall-Mount Plate and Screws Included



For more Good Thinking® visit hamiltonbeachcommercial.com



Two-Way Motor Activation

Operators can start and stop mixing action by inserting the cup into the cup guide, or by using the pulse switch on the top of the mixer



Speed Switch

Offers flexibility for different menu items

Cup Guide

Easily removable for dishwasher safe cleanup

Powerful 1/3 Hp Motor

Built to last with permanently sealed ball bearings. Can be replaced by operator to avoid downtime



Easy Wall Mount

All hardware included. Plugs into standard outlet

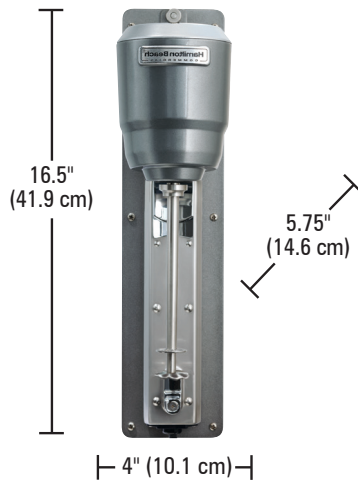


99043600 Wavy Agitator

Mixes a wide range of ingredients quickly while also aerating to increase yield

HMD300R WALL-MOUNTED SINGLE-SPINDLE DRINK MIXER

SPECIFICATIONS:



HMD300R Wall-Mount Spindle Mixer

Standard: unit comes with base, all mounting hardware, 99043600 agitator.
Electrical: 120 V, 60 Hz, 250 Watts
Weight: 10.5 lbs / 4.76 kg (shipping)
Warranty: 1 year Parts & Labor

